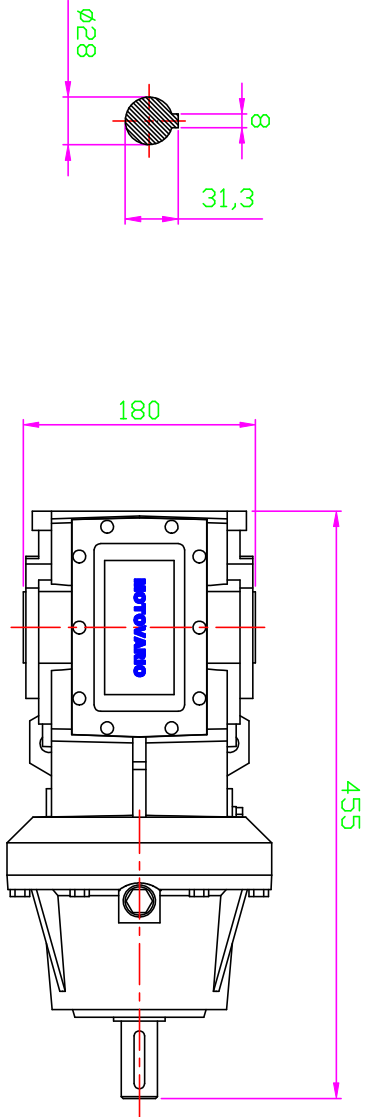
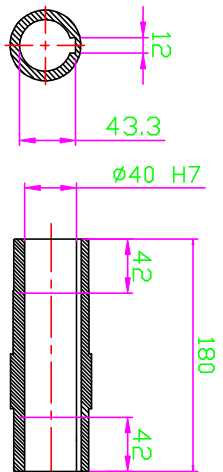


VIEW "K"



VIEW "J"



OUTPUT HOLLOW SHAFT

|  |  |  |  |  |  |  |  |                        |  |
|--|--|--|--|--|--|--|--|------------------------|--|
| <br>Motovario Qualified Assembly Centre  |  | DIMENSIONALE / DENOMINATION<br>DIMENSIONI N. / DENOMINAZIONE |  | SIGLA / STD<br>SOSTITUIRE<br>REVISIONI |  | VERSIONE / MATERIALI<br>VERSIONI / MATERIALI |  | MOTOVARIO<br>MOTOVARIO |  |
| Pes / Weight (kg/ty)<br>COM. SAP   |  | K-J-MHDH080007   |  | MOTOWARD / HELICAL BEVEL REDUCER       |  | WITHOUT MOTOR                                |  | MOTOVARIO              |  |
| DIM. RETTIF. SPALLAMENTI<br>DIM. RETTIF. SPALLAMENTI<br>DIM. RETTIF. SPALLAMENTI<br>DIM. RETTIF. SPALLAMENTI |  | MOTOWARD / HELICAL BEVEL REDUCER                             |  | MOTOWARD / HELICAL BEVEL REDUCER       |  | WITHOUT MOTOR                                |  | MOTOVARIO              |  |
| ANGOLI $\pm 30^\circ$  |  | MOTOWARD / HELICAL BEVEL REDUCER                             |  | MOTOWARD / HELICAL BEVEL REDUCER       |  | WITHOUT MOTOR                                |  | MOTOVARIO              |  |