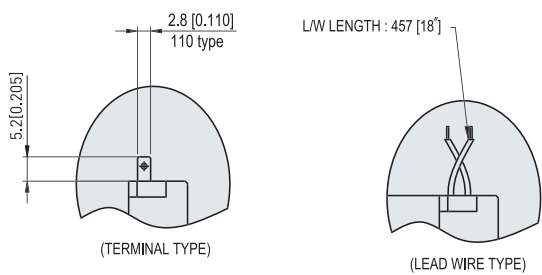
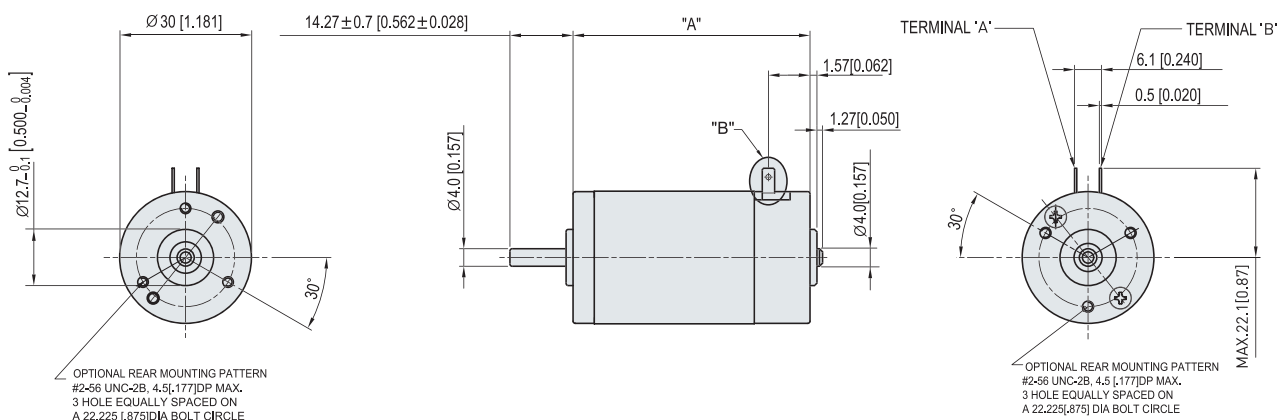




# COMPACT TYPE RM3 SERIES MOTOR

## MOTOR DIMENSION

UNIT : mm[inch]



DETAIL "B" CONNECTOR METHOD

MODEL NO.	"A"
RM32□□□	50.6 [1.992]
RM33□□□	53.7 [2.114]
RM34□□□	60.0 [2.362]

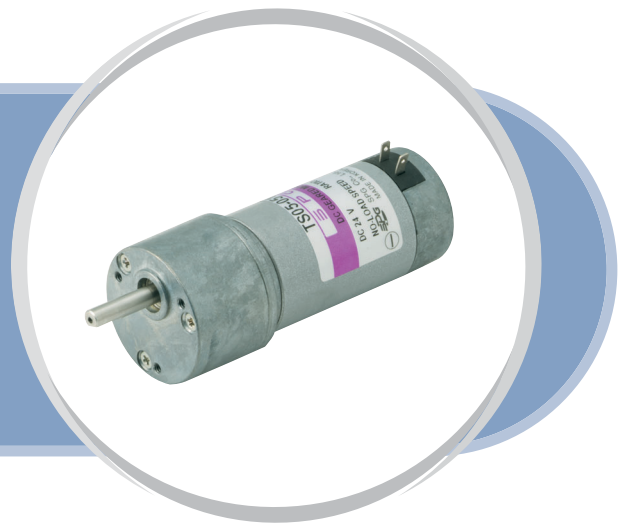
## MOTOR SPECIFICATION

( Voltage : DC 24V )

Type	No Load		Rated			Stall(Peak)		Run Duty Hr	Weight Kg		
	Revolution	Current	Conituous Torque(Max.)		Revolution	Current	Peak Torque			Current	
	RPM	A	-	N·m	RPM	A	-			A	
RM32B□□	7750	0.24	0.011	N·m	5800	0.55	0.048	N·m	2.05	500	0.59
			1.6	oz·in			6.8	oz·in			
			0.11	kgf·cm			0.49	kgf·cm			
RM33B□□	8132	0.28	0.014	N·m	6550	0.62	0.070	N·m	3.15	500	0.74
			2.0	oz·in			9.9	oz·in			
			0.14	kgf·cm			0.71	kgf·cm			
RM34B□□	10160	0.40	0.018	N·m	8120	1.11	0.127	N·m	6.05	500	0.89
			2.5	oz·in			18.0	oz·in			
			0.18	kgf·cm			1.30	kgf·cm			

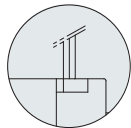
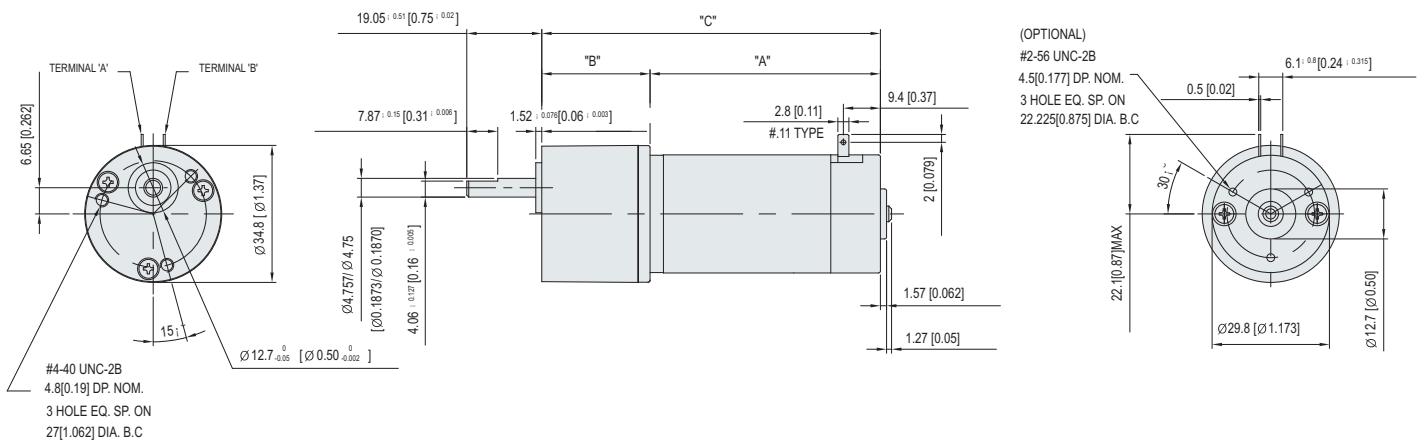
※ Run Duty는 정격전압인가 무부하 기준입니다.

# COMPACT TYPE RS3 SERIES GEARED MOTOR



## MOTOR DIMENSION

UNIT : mm[inch]



CONNECTOR OPTIONAL

LEAD WIRES  
457; 10[17.992; 0.787](L/W LENGTH)  
RED&BLACK

MODEL NO.	"A"	"B"		"C"
		RATIO : ~ 1/187.7	RATIO : 1/297.5 ~	
RS32□□□□	50.1 [1.972]			74.6 [2.937], 77.6 [3.055]
RS33□□□□	52.2 [2.055]	24.5 [0.965]	27.5 [1.083]	76.7 [3.020], 79.7 [3.138]
RS34□□□□	58.5 [2.303]			83.0 [3.268], 86.0 [3.386]

## PERMISSIBLE TORQUE OF GEAR BOX

TYPE	GEAR RATIO	6.3	9.9	19.5	30.9	60.5	95.9	187.7	297.5	581.8
RS32B□□□	No Load rpm	1230	783	397	251	128	81	41	26	13
	N-m	0.06	0.08	0.16	0.22	0.44	0.62	1.22	1.23	1.23
	oz-in	7.9	11.2	22.1	31.6	61.8	88.2	172.6	174.8	174.8
	kgf·cm	0.57	0.81	1.60	2.28	4.46	6.36	12.44	12.60	12.60
RS33B□□□	No Load rpm	1291	821	417	263	134	85	43	27	14
	N-m	0.07	0.10	0.20	0.28	0.56	0.79	1.23	1.23	1.23
	oz-in	10.1	14.3	28.2	40.2	78.7	112.3	174.8	174.8	174.8
	kgf·cm	0.73	1.03	2.03	2.90	5.67	8.09	12.60	12.60	12.60
RS34B□□□	No Load rpm	1613	1026	521	329	168	106	54	34	17
	N-m	0.09	0.13	0.26	0.36	0.71	1.02	1.23	1.23	1.23
	oz-in	13.0	18.4	36.2	51.7	101.2	144.3	174.8	174.8	174.8
	kgf·cm	0.94	1.33	2.61	3.72	7.29	10.40	12.60	12.60	12.60

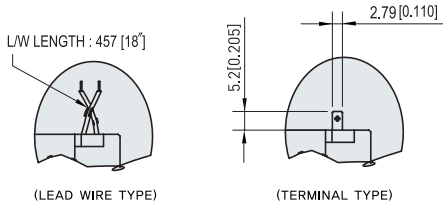
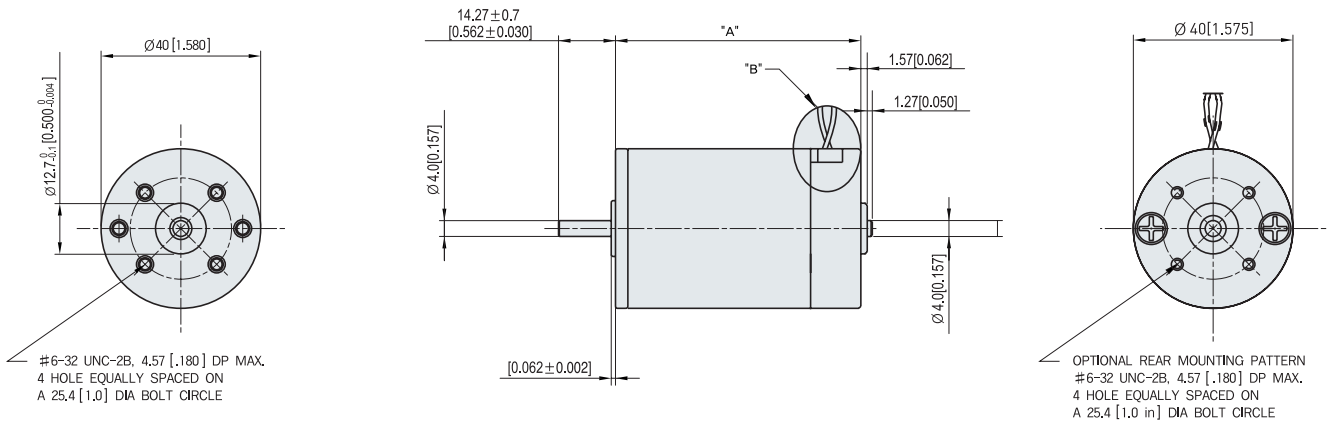
- 회전방향은 ■ 색이 MOTOR의 회전방향과 동일방향이고, 기타는 MOTOR 회전방향과 반대방향입니다.
- 회전수는 MOTOR의 무부하 회전수를 기준으로 하여 감속비로 나누어서 계산하였습니다.  
실제의 회전수는 부하의 크기에 따라서 표시된 수치보다 2~20% 적습니다.



# COMPACT TYPE RM4 SERIES MOTOR

## MOTOR DIMENSION

UNIT : mm[inch]



DETAIL "B" CONNECTOR METHOD

MODEL NO.	"A"
RM42□□□	46.4 [1,827]
RM43□□□	56.0 [2,205]
RM44□□□	61.1 [2,406]
RM45□□□	68.7 [2,705]
RM46□□□	77.6 [3,055]

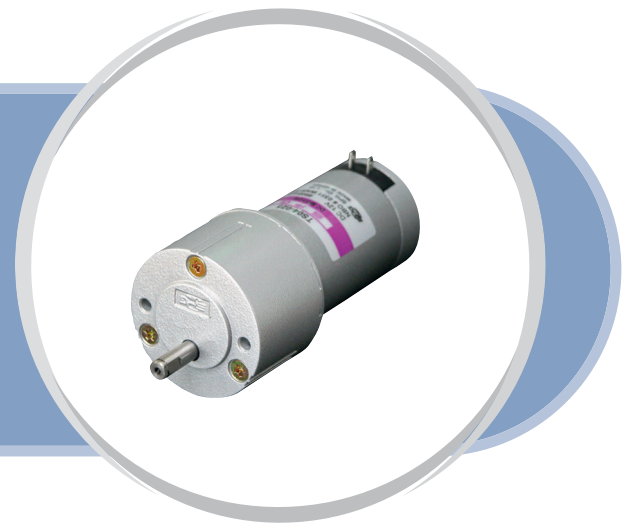
## MOTOR SPECIFICATION

( Voltage : DC 24V )

Type	No Load		Rated			Stall(Peak)		Run Duty	Weight		
	Revolution	Current	Contionuous Torque(Max.)		Revolution	Current	Peak Torque			Current	
	RPM	A	-	N·m	RPM	A	-	A	Hr	Kg	
RM42B□□	7015	0.24	0.02	N·m	5497	0.74	0.064	N·m	2.9	1000	0.20
			2.22	oz·in			9.02	oz·in			
			0.16	kgf·cm			0.65	kgf·cm			
RM43B□□	5993	0.20	0.03	N·m	4486	1.13	0.140	N·m	5.0	1000	0.25
			4.58	oz·in			19.84	oz·in			
			0.33	kgf·cm			1.43	kgf·cm			
RM44B□□	6151	0.24	0.04	N·m	5111	1.20	0.266	N·m	7.7	1000	0.29
			5.97	oz·in			37.61	oz·in			
			0.43	kgf·cm			2.71	kgf·cm			
RM45B□□	6348	0.30	0.05	N·m	5440	1.58	0.324	N·m	10.8	1000	0.33
			6.80	oz·in			45.93	oz·in			
			0.49	kgf·cm			3.31	kgf·cm			
RM46B□□	4916	0.24	0.07	N·m	4101	1.53	0.369	N·m	8.7	1000	0.39
			9.44	oz·in			52.32	oz·in			
			0.68	kgf·cm			3.77	kgf·cm			

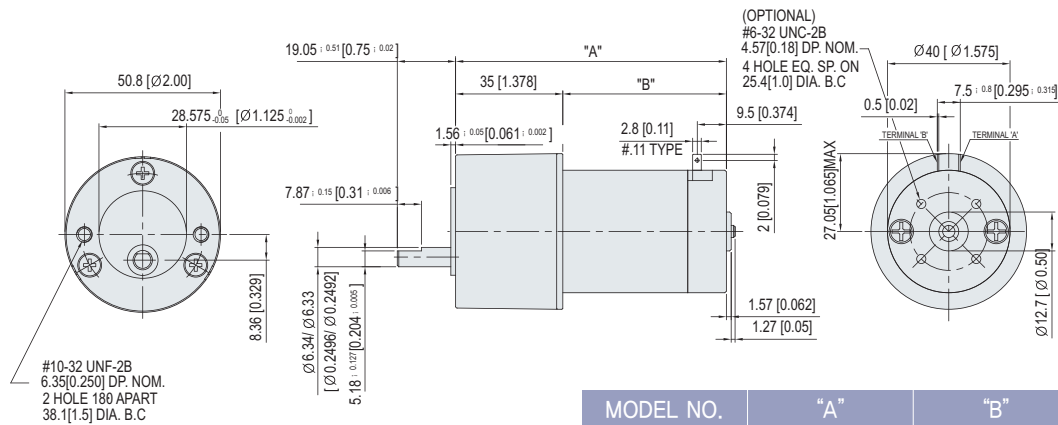
※ Run Duty는 정격전압인가 무부하 기준입니다.

# COMPACT TYPE RS4 SERIES GEARED MOTOR



## MOTOR DIMENSION

UNIT : mm[inch]



MODEL NO.	"A"	"B"	WEIGHT(kg)
RS42□□□□	78.8 [3.102]	43.8 [1.724]	0.39
RS43□□□□	88.4 [3.480]	53.4 [2.102]	0.43
RS44□□□□	93.5 [3.681]	58.5 [2.303]	0.50
RS45□□□□	101.1 [3.980]	66.1 [2.602]	0.54
RS46□□□□	110.0 [4.331]	75.0 [2.953]	0.58

## PERMISSIBLE TORQUE OF GEAR BOX

TYPE	GEAR RATIO	5.9	11.5	19.7	38.3	65.5	127.8	218.4	425.9	728.1	1419.8
RS42□□□□	No Load rpm	1189	610	356	183	107	55	32	16	10	5
	N-m	0.07	0.15	0.23	0.44	0.67	1.31	2.02	2.12	2.12	2.12
	oz-in	10.6	20.7	31.9	62.0	95.4	186.2	286.3	299.7	299.7	299.7
	kgf·cm	0.76	1.49	2.30	4.47	6.88	13.42	20.63	21.60	21.60	21.60
RS43□□□□	No Load rpm	1016	521	304	156	91	47	27	14	8	4
	N-m	0.15	0.30	0.46	0.90	1.39	2.12	2.12	2.12	2.12	2.12
	oz-in	21.9	42.7	65.8	127.9	196.8	299.7	299.7	299.7	299.7	299.7
	kgf·cm	1.58	3.07	4.74	9.21	14.18	21.60	21.60	21.60	21.60	21.60
RS44□□□□	No Load rpm	1043	535	312	161	94	48	28	14	8	4
	N-m	0.20	0.39	0.61	1.18	1.81	2.12	2.12	2.12	2.12	2.12
	oz-in	28.5	55.6	85.7	166.6	256.4	299.7	299.7	299.7	299.7	299.7
	kgf·cm	2.05	4.01	6.18	12.01	18.48	21.60	21.60	21.60	21.60	21.60
RS45□□□□	No Load rpm	1076	552	322	166	97	50	29	15	9	4
	N-m	0.23	0.45	0.69	1.34	2.06	2.12	2.12	2.12	2.12	2.12
	oz-in	32.5	63.3	97.7	189.9	292.2	299.7	299.7	299.7	299.7	299.7
	kgf·cm	2.34	4.56	7.04	13.68	21.06	21.60	21.60	21.60	21.60	21.60
RS46□□□□	No Load rpm	833	427	250	128	75	38	23	12	7	3
	N-m	0.32	0.62	0.96	1.86	2.12	2.12	2.12	2.12	2.12	2.12
	oz-in	45.1	87.9	135.5	263.5	299.7	299.7	299.7	299.7	299.7	299.7
	kgf·cm	3.25	6.33	9.77	18.99	21.60	21.60	21.60	21.60	21.60	21.60

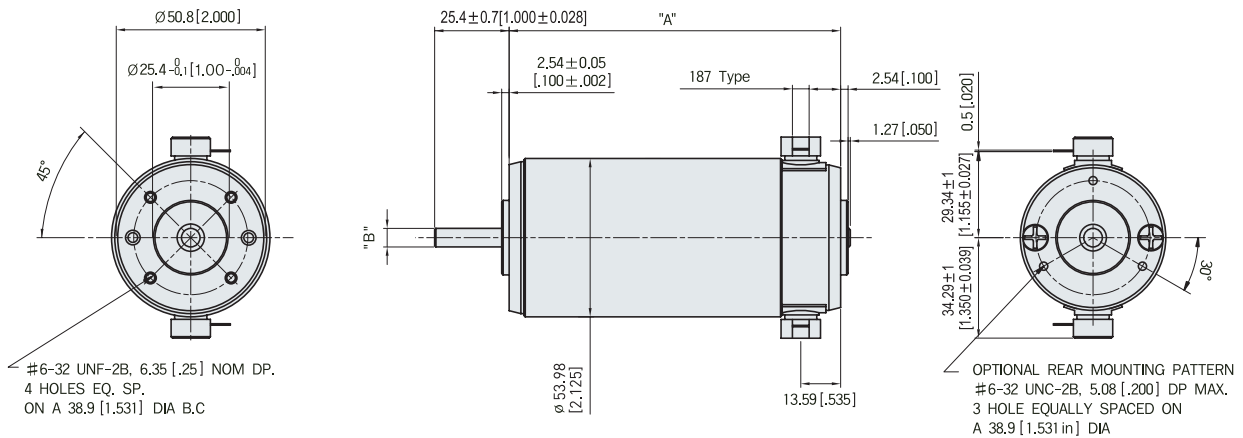
- 회전방향은 ■색이 MOTOR의 회전방향과 동일방향이고, 기타는 MOTOR 회전방향과 반대방향입니다.
- 회전수는 MOTOR의 무부하 회전수를 기준으로 하여 감속비로 나누어서 계산하였습니다. 실제의 회전수는 부하의 크기에 따라서 표시된 수치보다 2~20% 적습니다.



# COMPACT TYPE RM5 SERIES MOTOR

## MOTOR DIMENSION

UNIT : mm[inch]



MODEL NO.	"A"	"B"
RM51□□□	75.0 [2,953]	6,336±0.003 [0,2494±0.0001]
RM52□□□	81.0 [3,189]	
RM53□□□	94.0 [3,701]	

MODEL NO.	"A"	"B"
RM54□□□	103.4 [4,071]	6,336±0.003 [0,2494±0.0001]
RM55□□□	113.0 [4,449]	

## MOTOR SPECIFICATION

( Voltage : DC 24V )

Type	No Load		Rated			Stall(Peak)		Run Duty	Weight	
	Revolution	Current	Contionuous Torque(Max.)	Revolution	Current	Peak Torque	Current			
	RPM	A		—	RPM	A	—			A
RM51B□T	4230	0.4	0.06	N·m	3725	1.36	0.46	N·m	2000	0.59
			8.0	oz·in			64.5	oz·in		
			0.58	kgf·cm			4.65	kgf·cm		
RM52B□T	4087	0.5	0.09	N·m	3595	1.94	0.67	N·m	2000	0.74
			12.8	oz·in			94.8	oz·in		
			0.92	kgf·cm			6.83	kgf·cm		
RM53B□T	3400	0.5	0.15	N·m	2930	2.67	0.96	N·m	2000	0.89
			21.2	oz·in			135.7	oz·in		
			1.53	kgf·cm			9.78	kgf·cm		
RM54B□T	3630	0.5	0.18	N·m	3180	3.18	1.31	N·m	2000	1
			25.5	oz·in			185.4	oz·in		
			1.84	kgf·cm			13.36	kgf·cm		
RM55B□T	2900	0.4	0.22	N·m	2510	3.05	1.46	N·m	2000	1.12
			31.1	oz·in			207.0	oz·in		
			2.24	kgf·cm			14.92	kgf·cm		

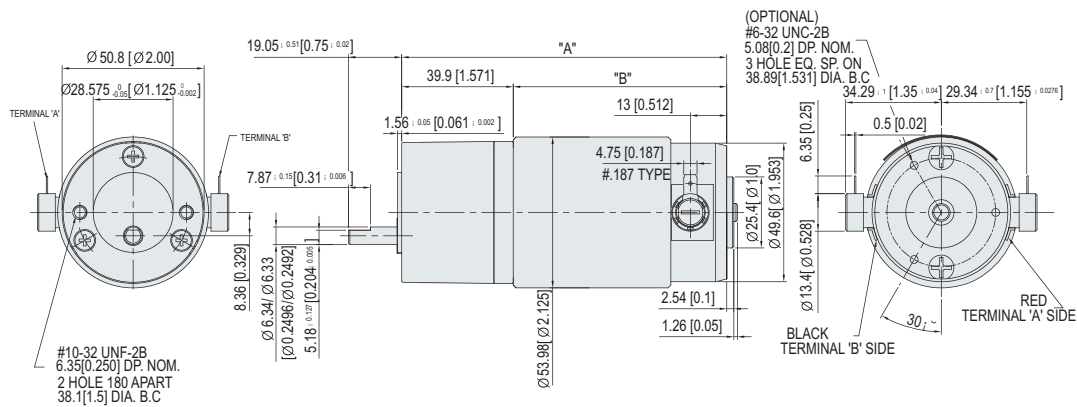
※ Run Duty는 정격전압인가 무부하 기준입니다.

# COMPACT TYPE RS5 SERIES GEARED MOTOR



## MOTOR DIMENSION

UNIT : mm[inch]

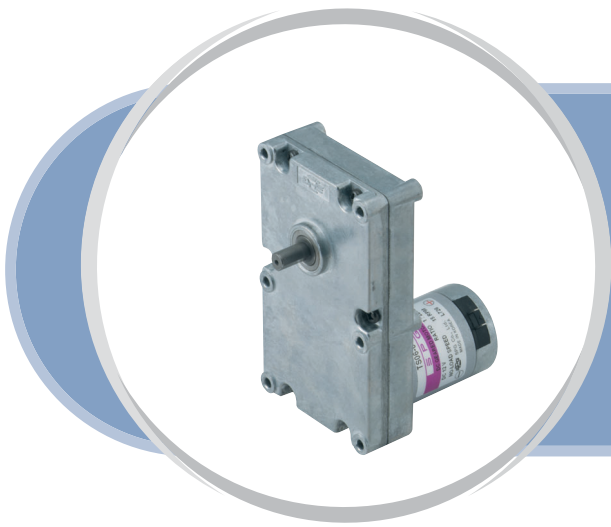


MODEL NO.	"A"	"B"	WEIGHT(kg)
RS51□□□□	109.9 [4.327]	70.0 [2.756]	0.84
RS52□□□□	115.90 [4.563]	76.0 [2.992]	0.95

## PERMISSIBLE TORQUE OF GEAR BOX

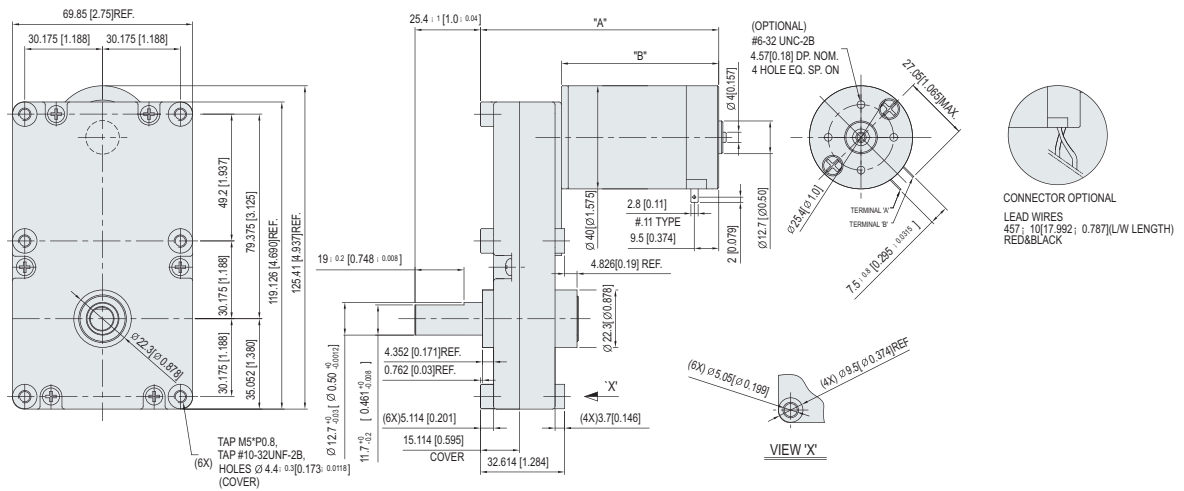
TYPE	GEAR RATIO	5.9	19.7	65.5
RS51B□□□	No Load rpm	717	215	65
	N-m	0.27	0.82	2.12
	oz-in	38.46	115.59	299.74
	kgf·cm	2.77	8.33	21.60
RS52B□□□	No Load rpm	693	207	62
	N-m	0.43	1.29	2.12
	oz-in	61.01	183.35	299.74
	kgf·cm	4.40	13.21	21.60

- 회전방향은 ■ 색이 MOTOR의 회전방향과 동일방향이고, 기타는 MOTOR 회전방향과 반대방향입니다.
- 회전수는 MOTOR의 무부하 회전수를 기준으로 하여 감속비로 나누어서 계산하였습니다. 실제의 회전수는 부하의 크기에 따라서 표시된 수치보다 2~20% 적습니다.



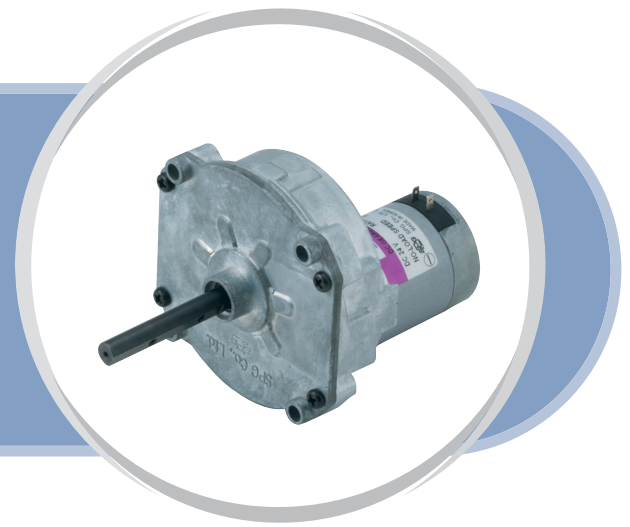
# COMPACT TYPE SG SERIES GEARED MOTOR

## MOTOR DIMENSION



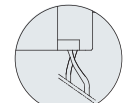
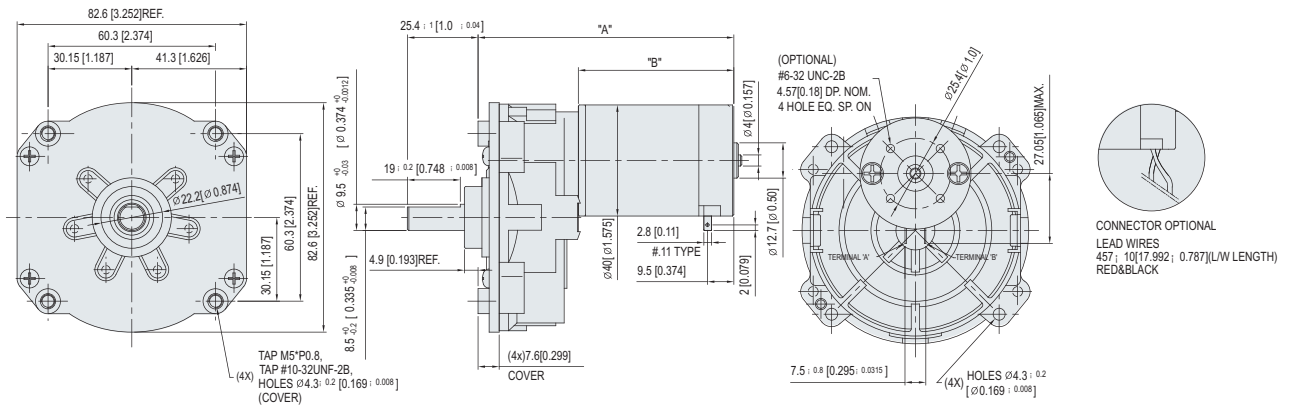

## PERMISSIBLE TORQUE OF GEAR BOX


# COMPACT TYPE SP SERIES GEARED MOTOR



## MOTOR DIMENSION

UNIT : mm[inch]



CONNECTOR OPTIONAL  
LEAD WIRES  
457-1017.992; 0.787[L/W LENGTH]  
RED&BLACK

MODEL NO.	"A"	"B"
SP42□□□□	82.5 [3.248]	46.4 [1.827]
SP43□□□□	92.1 [3.626]	56.0 [2.205]
SP44□□□□	97.2 [3.827]	61.1 [2.406]

MODEL NO.	"A"	"B"
SP45□□□□	104.8 [4.126]	68.7 [2.705]
SP46□□□□	113.7 [4.476]	77.6 [3.055]

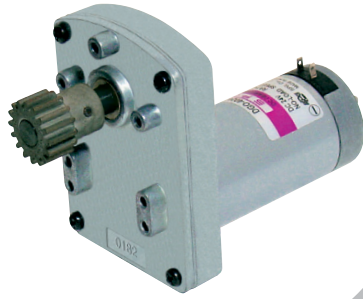
## PERMISSIBLE TORQUE OF GEAR BOX

(Voltage : DC 24V)

TYPE	GEAR RATIO	32.4	73.5	148.8	253	747.5	3105.2
SP42B□□□	No Load rpm	216.5	95.4	47.1	27.7	9.4	2.3
	N·m	0.37	0.84	1.53	2.60	6.92	11.27
	oz·in	52.5	118.9	216.8	368.6	980.0	1595.8
	kgf·cm	3.78	8.57	15.62	26.56	70.62	115.00
SP43B□□□	No Load rpm	185.0	81.5	40.3	23.7	8.0	1.9
	N·m	0.76	1.73	3.16	5.37	11.27	11.27
	oz·in	108.1	245.3	447.1	760.2	1595.8	1595.8
	kgf·cm	7.79	17.68	32.22	54.78	115.00	115.00
SP44B□□□	No Load rpm	189.8	83.7	41.3	24.3	8.2	2.0
	N·m	1.00	2.03	4.11	7.00	11.27	11.27
	oz·in	141.0	287.8	582.5	990.5	1595.8	1595.8
	kgf·cm	10.16	20.74	41.98	71.38	115.00	115.00
SP45B□□□	No Load rpm	195.9	86.4	42.7	25.1	8.5	2.0
	N·m	1.13	2.57	4.69	7.97	11.27	11.27
	oz·in	160.6	364.3	663.9	1128.7	1595.8	1595.8
	kgf·cm	11.57	26.25	47.84	81.34	115.00	115.00
SP46B□□□	No Load rpm	151.7	66.9	33.0	19.4	6.6	1.6
	N·m	1.57	3.57	6.51	11.06	11.27	11.27
	oz·in	222.9	505.7	921.3	1566.4	1595.8	1595.8
	kgf·cm	16.06	36.44	66.39	112.88	115.00	115.00

\* 기타 감속비는 별도 협의

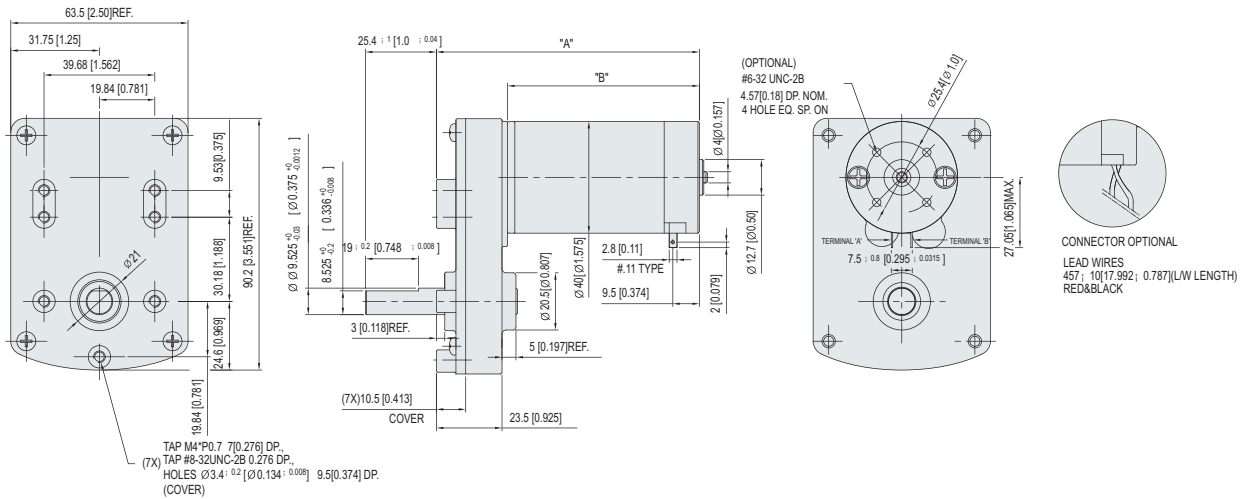




# COMPACT TYPE SR SERIES GEARED MOTOR

## MOTOR DIMENSION

UNIT : mm[inch]



MODEL NO.	"A"	"B"
SR42□□□□	71.9 [2.831]	46.4 [1.827]
SR43□□□□	81.5 [3.209]	56.0 [2.205]
SR44□□□□	86.6 [3.409]	61.1 [2.406]

MODEL NO.	"A"	"B"
SR45□□□□	94.2 [3.709]	68.7 [2.705]
SR46□□□□	103.1 [4.059]	77.6 [3.055]

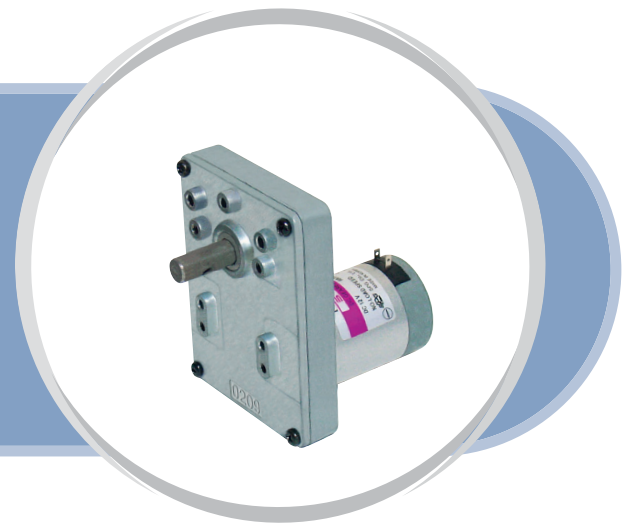
## PERMISSIBLE TORQUE OF GEAR BOX

(Voltage : DC 24V)

TYPE	GEAR RATIO	58.8	62.5	124.9	144	192
SR42B□□□□	No Load rpm	119.3	112.2	56.2	48.7	36.5
	N-m	0.75	0.79	1.43	1.65	2.19
	oz-in	105.7	112.4	202.2	233.1	310.7
	kgf·cm	7.62	8.10	14.57	16.80	22.39
SR43B□□□□	No Load rpm	101.9	95.9	48.0	41.6	31.2
	N-m	1.54	1.64	2.94	3.39	4.53
	oz-in	218.1	231.9	417.0	480.7	641.0
	kgf·cm	15.72	16.71	30.05	34.64	46.19
SR44B□□□□	No Load rpm	104.6	98.4	49.2	42.7	32.0
	N-m	2.01	2.13	3.84	4.42	5.90
	oz-in	284.2	302.1	543.3	626.4	835.2
	kgf·cm	20.48	21.77	39.15	45.14	60.19
SR45B□□□□	No Load rpm	108.0	101.6	50.8	44.1	33.1
	N-m	2.29	2.43	4.37	5.04	6.72
	oz-in	323.9	344.3	619.2	713.8	951.7
	kgf·cm	23.34	24.81	44.62	51.44	68.58
SR46B□□□□	No Load rpm	83.6	78.7	39.4	34.1	25.6
	N-m	3.17	3.37	6.07	7.00	9.33
	oz-in	449.5	477.8	859.3	990.5	1320.8
	kgf·cm	32.39	34.43	61.92	71.38	95.18

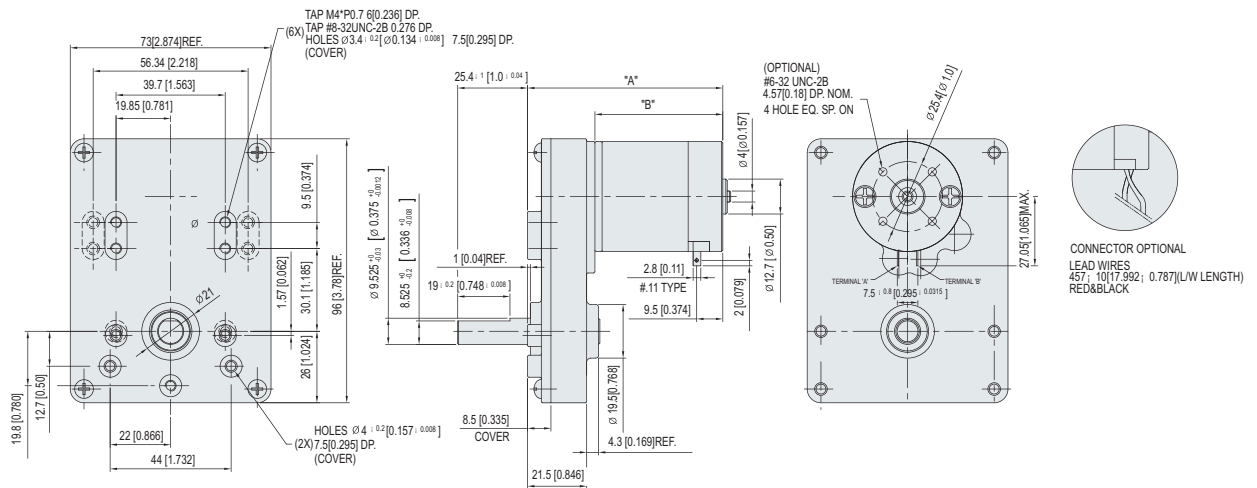
\* 기타 감속비는 별도 협의

# COMPACT TYPE SQ SERIES GEARED MOTOR



## MOTOR DIMENSION

UNIT : mm[inch]



MODEL NO.	"A"	"B"
SQ42□□□□	70.9 [2.791]	46.4 [1.827]
SQ43□□□□	80.5 [3.169]	56.0 [2.205]
SQ44□□□□	85.6 [3.370]	61.1 [2.406]

MODEL NO.	"A"	"B"
SQ45□□□□	93.2 [3.669]	68.7 [2.705]
SQ46□□□□	102.1 [4.020]	77.6 [3.055]

## PERMISSIBLE TORQUE OF GEAR BOX

(Voltage : DC 24V)

TYPE	GEAR RATIO	38.5	68.4	144	169	192.1	225	444	517.6	844.8	1240.2
SQ42B□□□□	No Load rpm	182.2	102.6	48.7	41.5	36.5	31.2	15.8	13.6	8.3	5.7
	N·m	0.44	0.78	1.65	1.93	2.20	2.57	4.57	5.33	8.69	12.76
	oz·in	62.3	110.7	233.1	273.5	311.0	364.1	646.7	754.1	1230.6	1806.6
	kgf·cm	4.49	7.98	16.80	19.71	22.41	26.24	46.60	54.34	88.68	130.19
SQ43B□□□□	No Load rpm	155.7	87.6	41.6	35.5	31.2	26.6	13.5	11.6	7.1	4.8
	N·m	0.91	1.61	3.39	3.98	4.53	5.30	9.42	10.98	14.21	14.21
	oz·in	128.5	228.3	480.7	564.2	641.2	751.2	1334.0	1555.2	2012.1	2012.1
	kgf·cm	9.26	16.45	34.64	40.66	46.21	54.13	96.13	112.07	145.00	145.00
SQ44B□□□□	No Load rpm	159.8	89.9	42.7	36.4	32.0	27.3	13.9	11.9	7.3	5.0
	N·m	1.18	2.10	4.42	5.19	5.90	6.91	12.28	14.21	14.21	14.21
	oz·in	167.5	297.5	626.4	735.2	835.7	978.7	1738.2	2012.1	2012.1	2012.1
	kgf·cm	12.07	21.44	45.14	52.98	60.22	70.53	125.26	145.00	145.00	145.00
SQ45B□□□□	No Load rpm	164.9	92.8	44.1	37.6	33.0	28.2	14.3	12.3	7.5	5.1
	N·m	1.35	2.39	5.04	5.92	6.72	7.88	13.99	14.21	14.21	14.21
	oz·in	190.8	339.0	713.8	837.7	952.2	1115.3	1980.8	2012.1	2012.1	2012.1
	kgf·cm	13.75	24.43	51.44	60.37	68.62	80.37	142.74	145.00	145.00	145.00
SQ46B□□□□	No Load rpm	127.7	71.9	34.1	34.1	25.6	21.8	11.1	9.5	5.8	4.0
	N·m	1.87	3.32	7.00	8.21	9.33	10.93	14.21	14.21	14.21	14.21
	oz·in	264.9	470.6	990.5	1162.6	1321.5	1547.8	2012.1	2012.1	2012.1	2012.1
	kgf·cm	19.09	33.91	71.38	83.78	95.23	111.54	145.00	145.00	145.00	145.00

\* 기타 감속비는 별도 협의