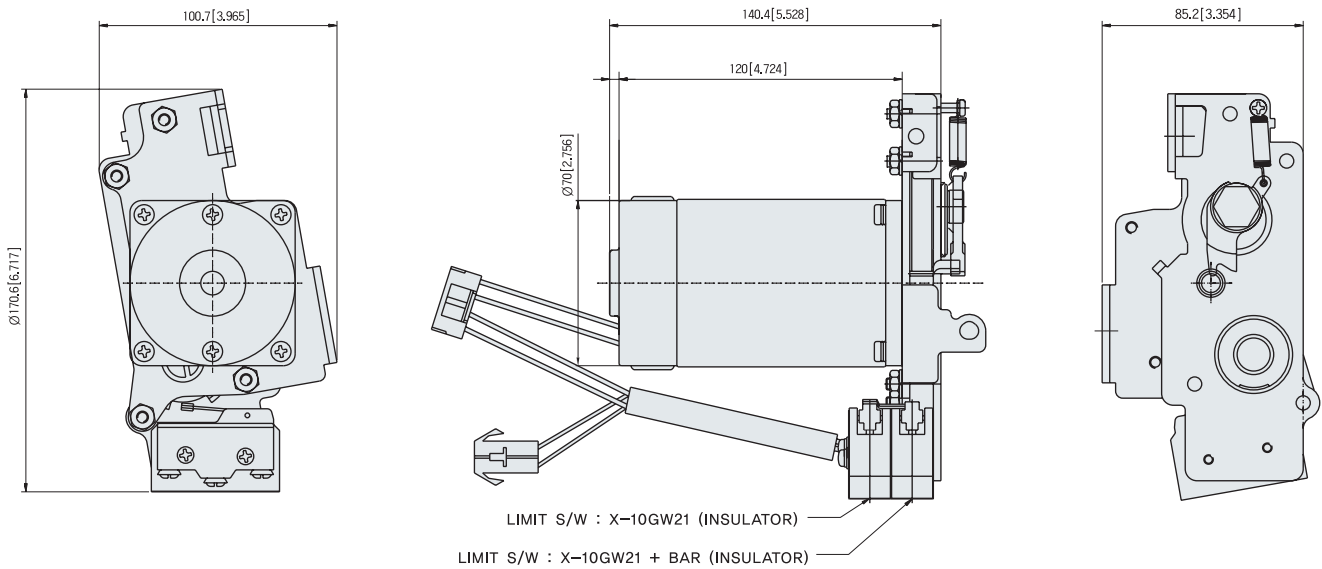


SPECIAL TYPE

HEAVY-ELECTRIC DC MOTOR

MOTOR DIMENSION

UNIT : mm[inch]



MOTOR SPECIFICATION

| Type | Voltage V | Output W | No Load | | Rated Lod | | | Run Duty Hr | Weight (Only motor) Kg(oz) |
|--------------------|--------------|-------------|-------------------|--------------|-------------------|----------------------------|--------------|-------------------|----------------------------------|
| | | | Revolution RPM | Current A | Revolution RPM | Torque kg · cm(oz · in) | Current A | | |
| S7D200-110GH(OB51) | 110 | 220 | 4000 | MAX,0,3 | 3250 | 6,0(83,33) | 2,4 | 1000 | 2,4(84,7) |
| S7D225-125GH(OB52) | 125 | 225 | 4500 | MAX,0,3 | 3650 | 6,0(83,33) | 2,4 | 1000 | 2,4(84,7) |
| S7D200-220GH(OB53) | 220 | 200 | 4000 | MAX,0,2 | 3250 | 6,0(83,33) | 1,2 | 1000 | 2,4(84,7) |
| S7D150-24GH(OB54) | 24 | 150 | 3800 | MAX,1,0 | 2450 | 6,0(83,33) | 11,0 | 1000 | 2,4(84,7) |
| S7D175-48GH(OB55) | 48 | 175 | 3850 | MAX,0,5 | 2850 | 6,0(83,33) | 5,5 | 1000 | 2,4(84,7) |

※ Run Duty는 정격전압인가 무부하 기준입니다.