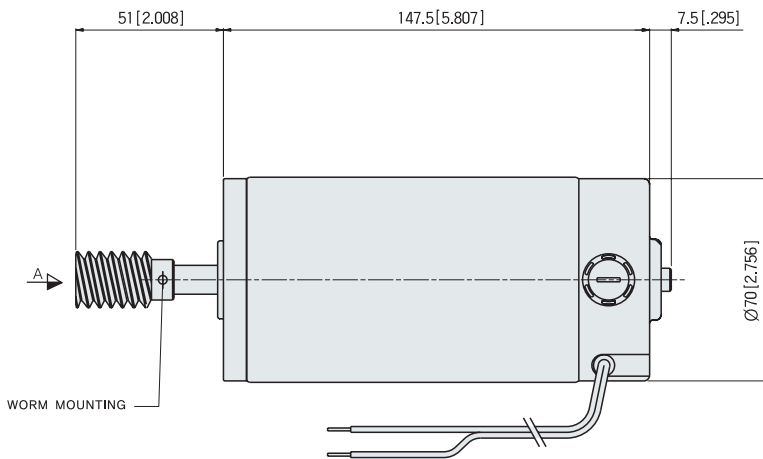


SPECIAL TYPE AUTOMATIC DOOR DC MOTOR

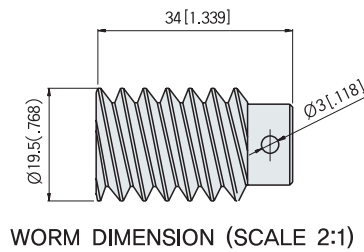
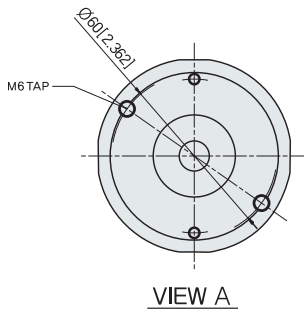
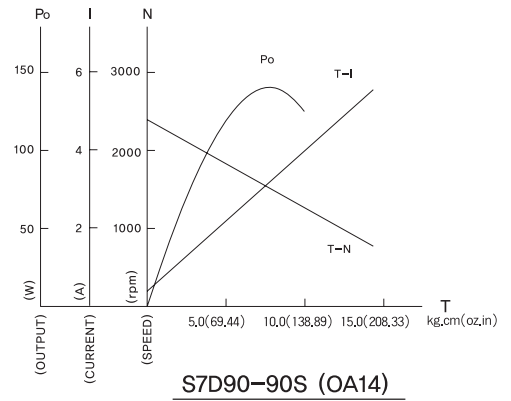


MOTOR DIMENSION

UNIT : mm[inch]



CHARACTERISTIC CURVE



※ Refer to Table 1

SPEC for worm gear (㉮1)

MODULE	1.25
NO. OF STARTS	3(Right)
P.C.D	17(.669)

MOTOR SPECIFICATION

Type	Voltage V	Output W	No Load		Rated Lod			Run Duty Hr	Weight (Only motor) Kg(oz)
			Revolution RPM	Current A	Revolution RPM	Torque kg · cm(oz · in)	Current A		
S7D90-90S(OA14)	90	90	2400	MAX,0.2	2000	4.4(61.1)	1.5	2000	1.9(67.0)

※ Run Duty는 정격전압인가 무부하 기준입니다.