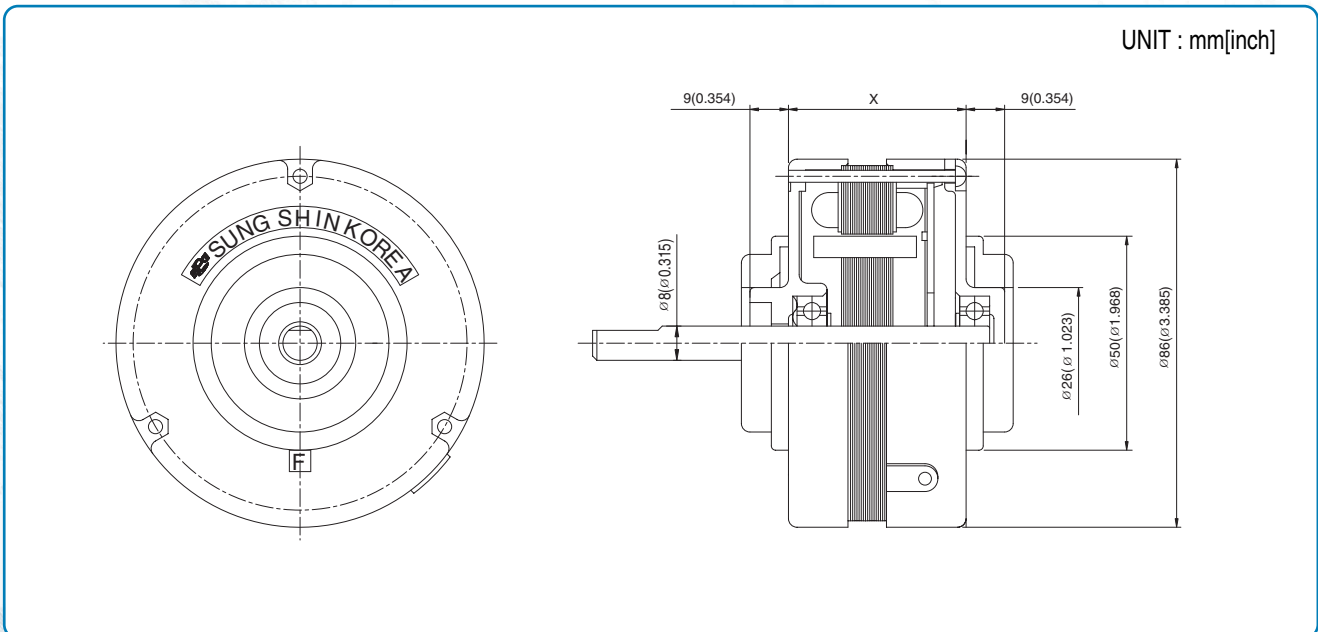


## DIMENSION



## CHARACTERISTIC

Type	Voltage (V)	Frequency (Hz)	Load				Ins. Class	P.C.B Of Drive	X	
			Torque		Speed	Input				Output
			(kg.cm)	(N.m)	(Rpm)	(Wi)	(Wo)			
DL-82412	DC 36	-	1.1	0.108	1250	28	15	E	Internal	41.5(1.633)
DL-82412	DC 36	-	1.1	0.108	1460	32	16.5	E	Internal	41.5(1.633)
DL-82424	DC 40	-	2.2	0.147	1250	50	28	E	Internal	53.5(2.106)