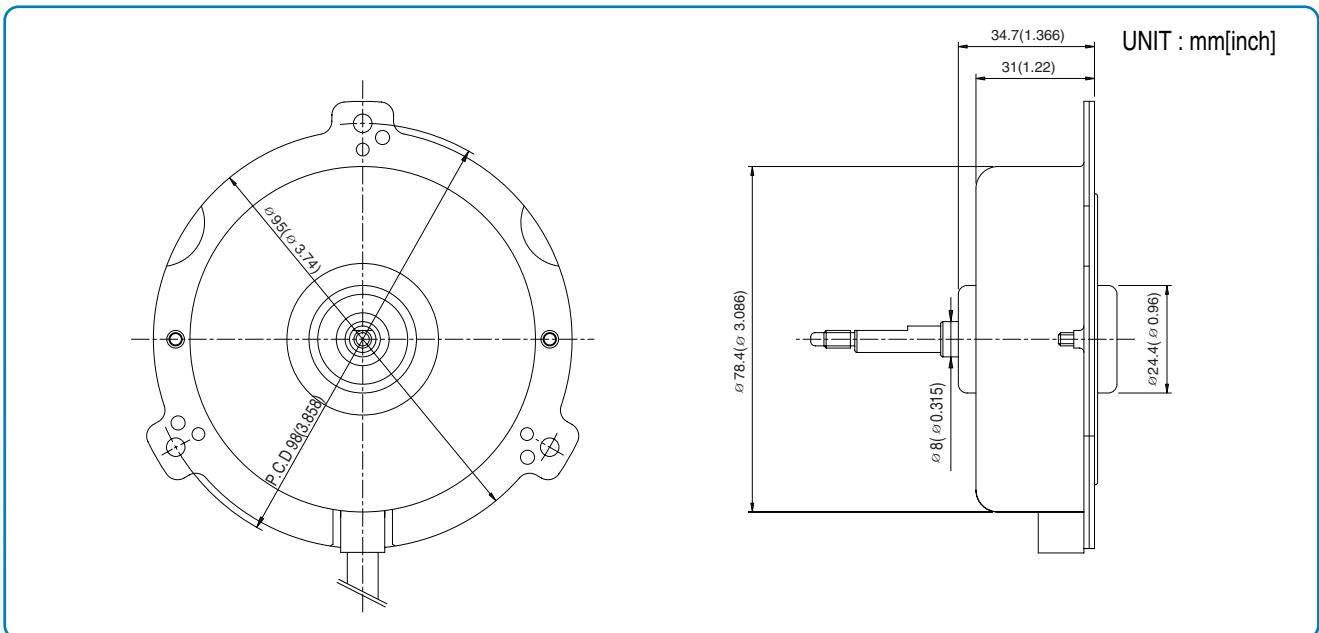




## DIMENSION



## CHARACTERISTIC

Type	Voltage (V)	Frequency (Hz)	Load					Ins. Class	P.C.B Of Drive	X
			Torque		Speed (Rpm)	Input (Wi)	Output (Wo)			
			(kg.cm)	(N.m)						
DL-7806	DC 22	-	0.55	0.054	2300	26.4	13	E	External	-
DL-7806	DC 26	-	0.6	0.059	2800	39.2	17.2	E	External	-
DL-7806	DC 30	-	0.35	0.034	3600	36	12.9	E	External	-