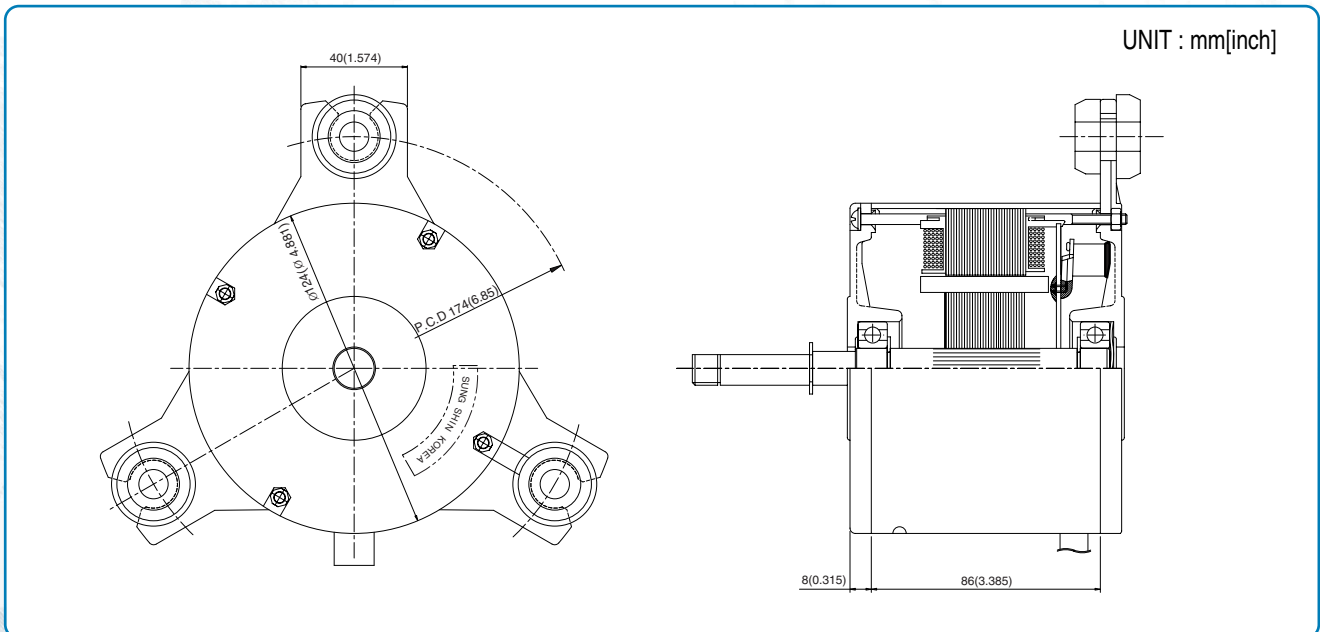




DIMENSION



CHARACTERISTIC

Type	Voltage (V)	Frequency (Hz)	Load				Ins. Class	P.C.B Of Drive	X	
			Torque		Speed (Rpm)	Input (Wi)				Output (Wo)
			(kg.cm)	(N.m)						
DL-12830	DC 311	-	14	1.37	650	120	93	E	Internal	-
DL-12830	DC 311	-	11.65	1.14	700	110	84	E	Internal	-
DL-12840	DC 311	-	16	1.57	900	180	148	E	Internal	-