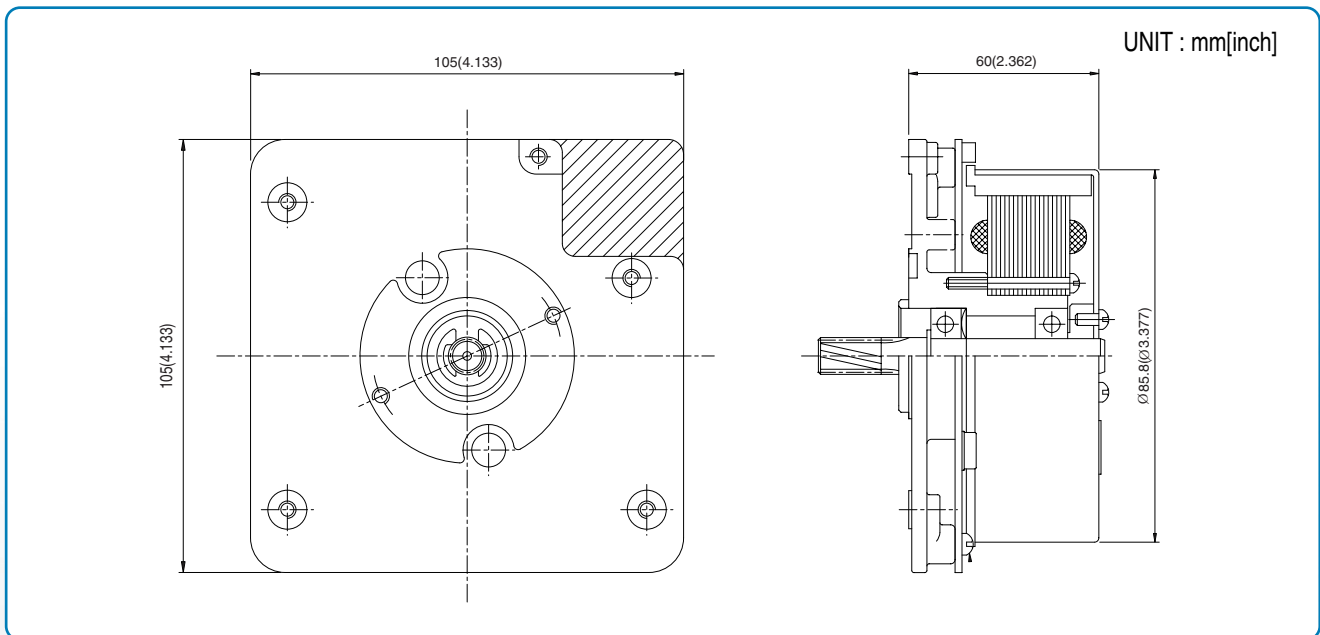




DIMENSION



CHARACTERISTIC

Type	Voltage (V)	Frequency (Hz)	Load				Ins. Class	P.C.B Of Drive	X	
			Torque		Speed (Rpm)	Input (Wi)				Output (Wo)
			(kg.cm)	(N.m)						
DLG-73820	DC 24	-	4.1	0.402	1212.6	60	40	A	Internal	-