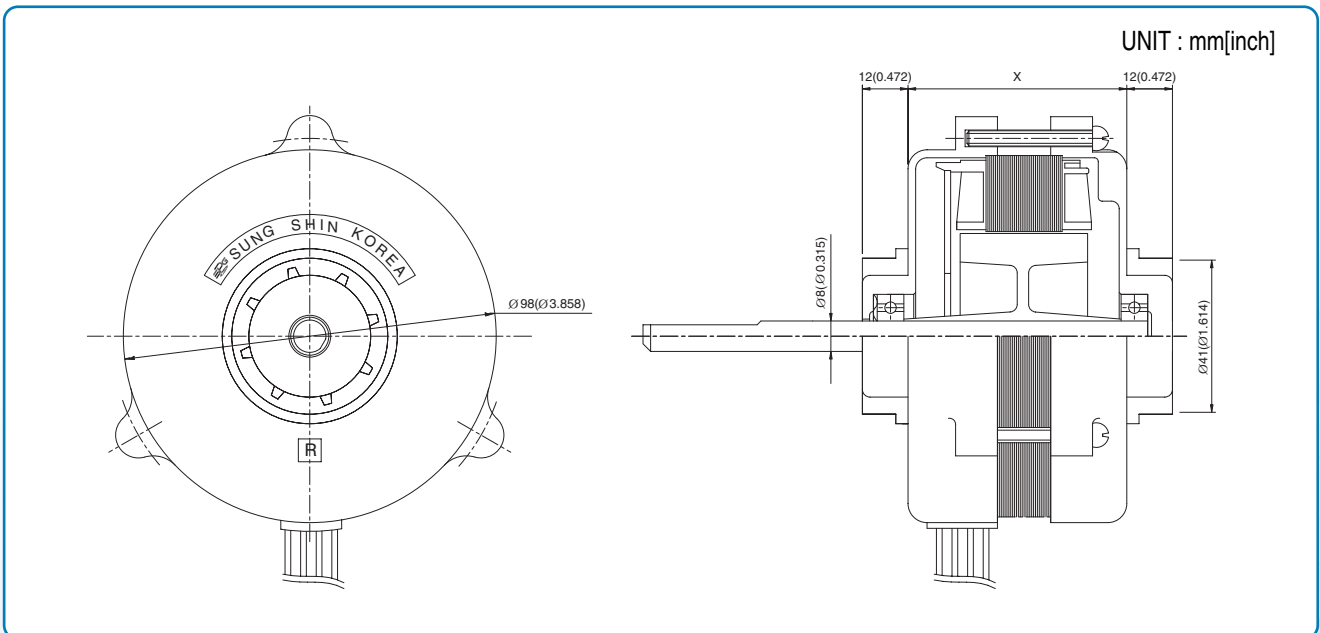




DIMENSION



CHARACTERISTIC

Type	Voltage (V)	Frequency (Hz)	Load				Ins. Class	P.C.B Of Drive	X	
			Torque		Speed (Rpm)	Input (Wi)				Output (Wo)
			(kg.cm)	(N.m)						
DL-95820	DC 37	-	2.85	0.28	1370	54	39	E	Internal	57.5(2.263)
DL-95820	DC 310	-	5.5	0.54	1080	82	61	E	Internal	57.5(2.263)
DL-95835	DC 310	-	11	1.08	700	110	79	E	Internal	72.5(2.854)