

CONDENSER RUN INDUCTION GEARED MOTOR

● OPEN HOUSING TYPE (IC-83445 TYPE)

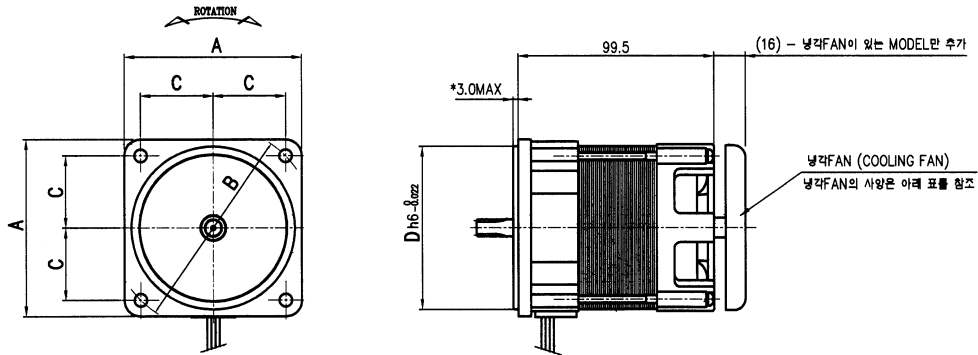
● GEAR HEAD ASSEMBLY TYPE



IC-83 Series

SPG Co., Ltd.

▼ DIMENSIONS



MODEL	치수 A	치수 B	치수 C	치수 D	냉각 FAN	NOTE	조립가능한 표준형 GEAR HEAD
IC-83445DSA	80	∅ 94	32.84	∅ 73	N/A		S8□A3□~S8□A200□
IC-83445DSB	80	∅ 94	32.84	∅ 73	N/A	간이BRAKE부착	S8□A3□~S8□A200□
IC-83445DSD	90	∅ 104	36.77	∅ 83	○	간이BRAKE부착	S9□B3□□~S9□B200□□
IC-83445DSE	80	∅ 94	32.84	∅ 73	○		S8□A3□~S8□A200□
IC-83445KOB	80	∅ 94	32.84	∅ 73	N/A		S8□A3□~S8□A200□
IC-83445KOB-1	80	∅ 94	32.84	∅ 73	N/A	SPEED CONTROL	S8□A3□~S8□A200□
IC-83445KOB-2	80	∅ 94	32.84	∅ 73	N/A	SPEED CONTROL	S8□A3□~S8□A200□
IC-83445KOB-3	80	∅ 94	32.84	∅ 73	N/A	OIL SEAL 부착	S8□A3□~S8□A200□
IC-83445KYA	80	∅ 94	32.84	∅ 73	N/A	SPEED CONTROL	S8□A3□~S8□A200□
IC-83445KYB	80	∅ 94	32.84	∅ 73	N/A	SPEED CONTROL	S8□A3□~S8□A200□
IC-83445WIA	90	∅ 104	36.77	∅ 83	N/A		S9□B3□□~S9□B200□□

▼ Performance Data

MODEL	Poles	Voltage	Frequency	Output	Rated			Starting Torque	Duty
					Speed	Torque	Current		
	P	V	Hz	W	rpm	Kg-cm	A	Kg-cm	
IC-83445DSA	4	220	60	40	1550	3.55	0.45	2.46	cont.
IC-83445DSB	4	220	60	40	1550	4.41	0.54	4.56	30MIN.
IC-83445DSD	4	220	60	60	1550	6.22	0.58	6.30	30MIN.
IC-83445DSE	4	220	60	40	1550	3.55	0.45	2.46	cont.
IC-83445KOB	4	220	60	40	1550	3.55	0.45	2.46	cont.
IC-83445KOB-1	4	220	60	40	1550	3.08	0.43	2.34	cont.
IC-83445KOB-2	4	115	60	40	1550	3.54	0.92	2.37	cont.
IC-83445KOB-3	4	220	60	40	1550	3.55	0.45	2.46	cont.
IC-83445KYA	4	110	60	40	1550	3.34	1.00	2.34	cont.
IC-83445KYB	4	220/240	50	40	1550	3.14/3.72	0.36/0.39	1.75/2.07	cont.
IC-83445WIA	4	220	60	40	1550	3.55	0.45	2.46	cont.