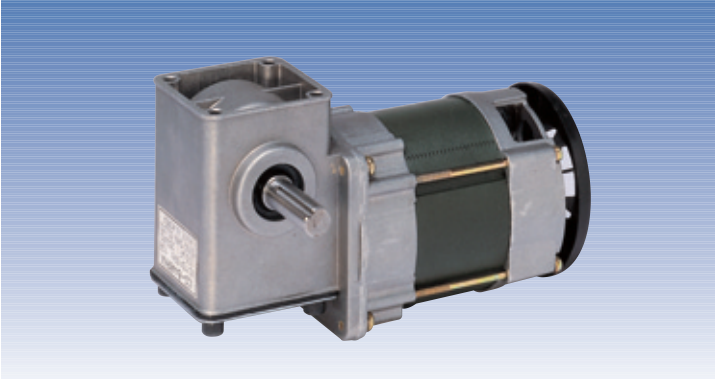


CONDENSER RUN INDUCTION GEARED MOTOR

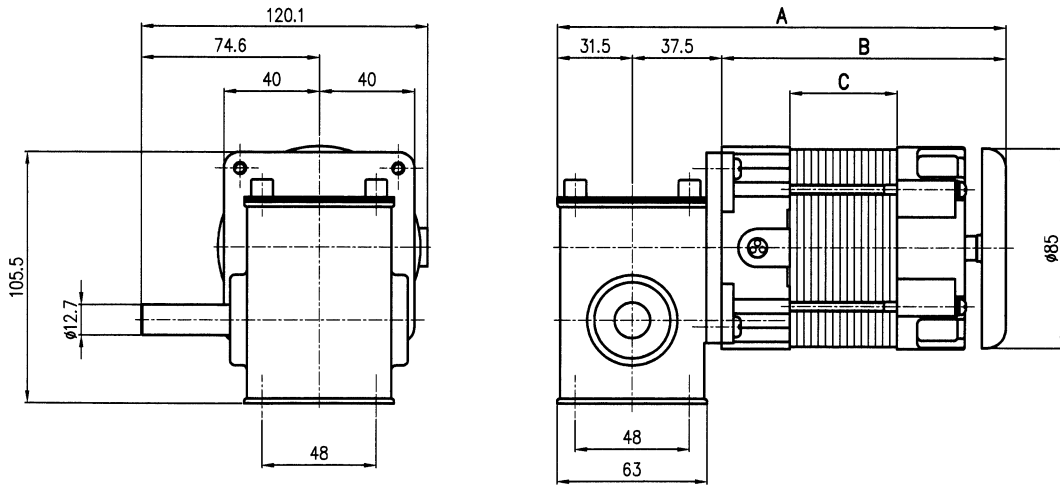
● OPEN HOUSING TYPE



ICG-83 Series

 **SPG Co., Ltd.**

▼ DIMENSIONS



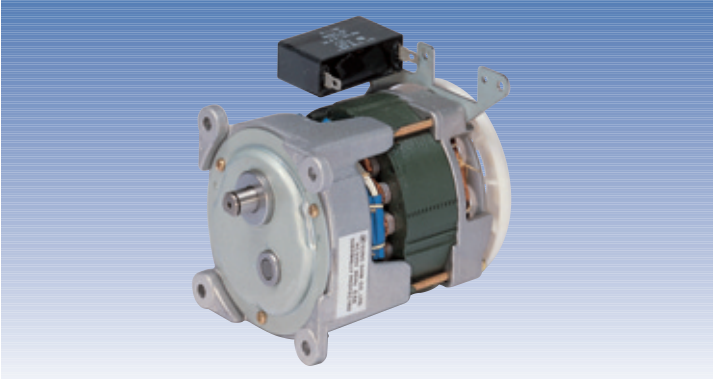
MODEL	치수 A	치수 B	치수 C
ICG-83428	166.7	97.7	28
ICG-83434	172.7	103.7	34
ICG-83448	186.7	117.7	48
ICG-83460	198.7	129.7	60

▼ Performance Data

MODEL	Poles	Voltage	Frequency	Output	Rated			Starting Torque	Duty
					Speed	Torque	Current		
					P	V	Hz	W	
ICG-83428	4	220	60	20	62.5	16.0	0.50	11.0	cont.
ICG-83434	4	220	60	30	62.5	24.0	0.60	16.0	cont.
ICG-83448	4	115	60	40	62.5	25.0	0.85	16.0	cont.
ICG-83460	4	220	60	80	62.5	50.0	1.20	30.0	30MIN.

CONDENSER RUN INDUCTION GEARED MOTOR

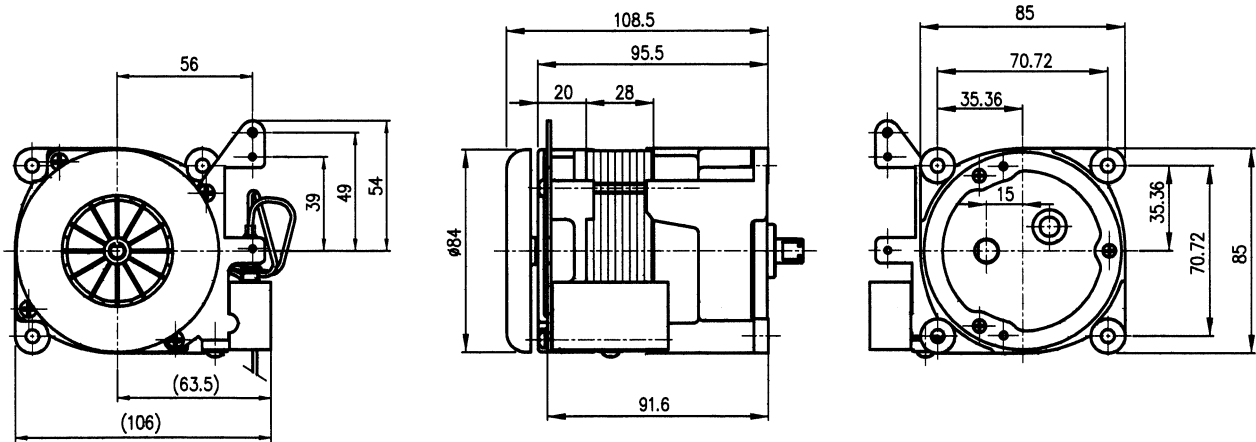
● OPEN HOUSING TYPE



ICG-83 Series

SPG Co., Ltd.

▼ DIMENSIONS



▼ Performance Data

MODEL	Poles P	Voltage V	Frequency Hz	Output W	Rated			Starting Torque Kg-cm	Duty
					Speed rpm	Torque Kg-cm	Current A		
ICG-83428A	4	220	60	16.0	220	7.0	0.40	13.0	cont.
ICG-83428B	4	220	50	16.0	220	7.0	0.40	13.0	cont.