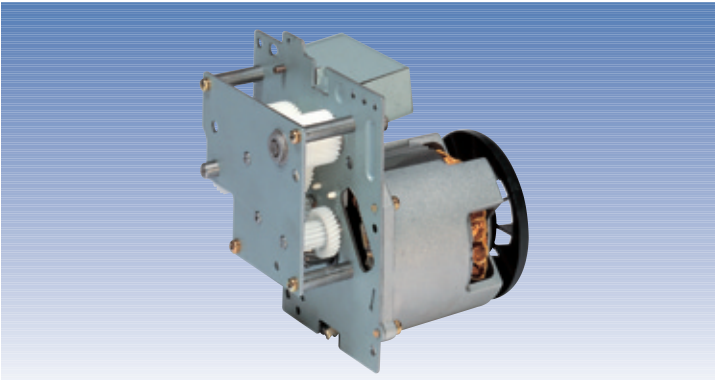


CONDENSER RUN REACTION GEARED MOTOR

● CLOSE HOUSING TYPE

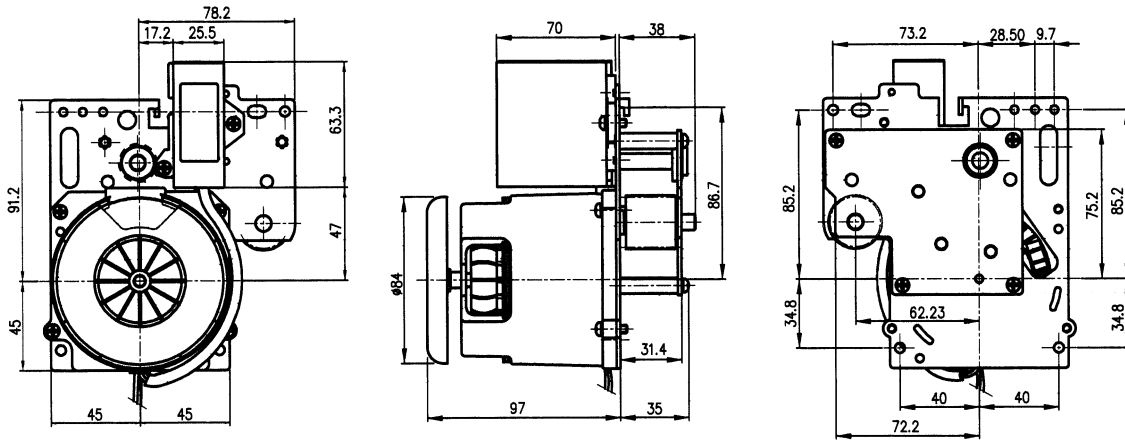


IRG-83 Series



SPG Co., Ltd.

▼ DIMENSIONS

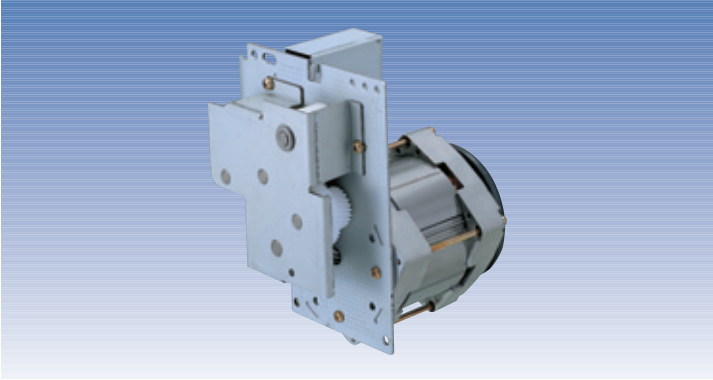


▼ Performance Data

MODEL	Poles P	Voltage V	Frequency Hz	Output W	Rated			Starting Torque Kg-cm	Duty
					Speed rpm	Torque Kg-cm	Current A		
IRG-83435A	4	220	60	16	63.66	24.0	0.50	18.5	cont.
IRG-83435B	4	220	60	16	76.40	24.0	0.50	18.5	cont.
IRG-83435C	4	115	60	16	63.67	24.0	0.85	18.5	cont.
IRG-83435D	4	220	50	16	63.67	24.0	0.70	18.5	cont.
IRG-83435E	4	240	50	16	63.67	24.0	0.65	18.5	cont.
IRG-83435F	4	220	50	18	76.41	24.0	0.71	18.5	cont.
IRG-83435G	4	115	60	18	76.41	24.0	0.90	18.5	cont.
IRG-83435H	4	220	50	16	66.77	24.0	0.74	18.5	cont.
IRG-83435I	4	127	60	13	66.76	20.0	0.57	18.5	cont.
IRG-83435J	4	220	60	13	66.76	20.0	0.34	18.5	cont.

CONDENSER RUN REACTION GEARED MOTOR

● OPEN HOUSING TYPE

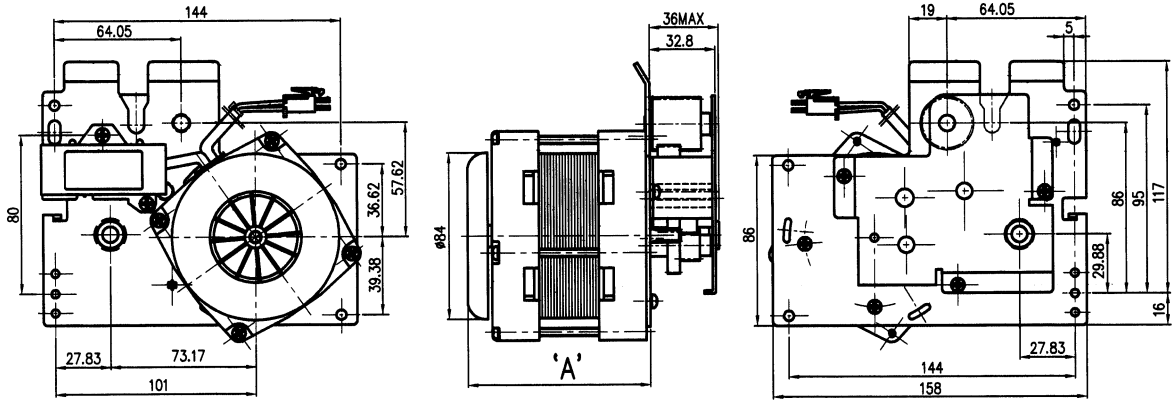


IRG-83 Series



SPG Co., Ltd.

▼ DIMENSIONS



▼ Performance Data

MODEL	Poles P	Voltage V	Frequency Hz	Output W	Rated			Starting Torque Kg-cm	Duty	SIZE 'A'
					Speed rpm	Torque Kg-cm	Current A			
IRG-83435K	4	220	60	15	76.39	20.0	0.60	14.0	cont.	92
IRG-83435L	4	115	60	15	76.40	20.0	0.85	15.5	cont.	92
IRG-83435M	4	220	50	15	76.39	20.0	0.58	15.5	cont.	92
IRG-83445A	4	220	60	23	114.7	20.0	0.50	14.0	cont.	102
IRG-83445B	4	220	60	27	133.8	20.0	0.45	14.0	cont.	102
IRG-83445C	4	220	50	23	114.7	20.0	0.50	14.0	cont.	102
IRG-83445D	4	115	60	23	114.7	20.0	0.75	14.0	cont.	102
IRG-83445E	4	240	50	23	114.7	20.0	0.40	14.0	cont.	102
IRG-83445F	4	220	50	27	133.8	20.0	0.50	14.0	cont.	102
IRG-83445G	4	220	60	28	137.9	20.0	0.34	14.0	cont.	102

CONDENSER RUN REACTION GEARED MOTOR

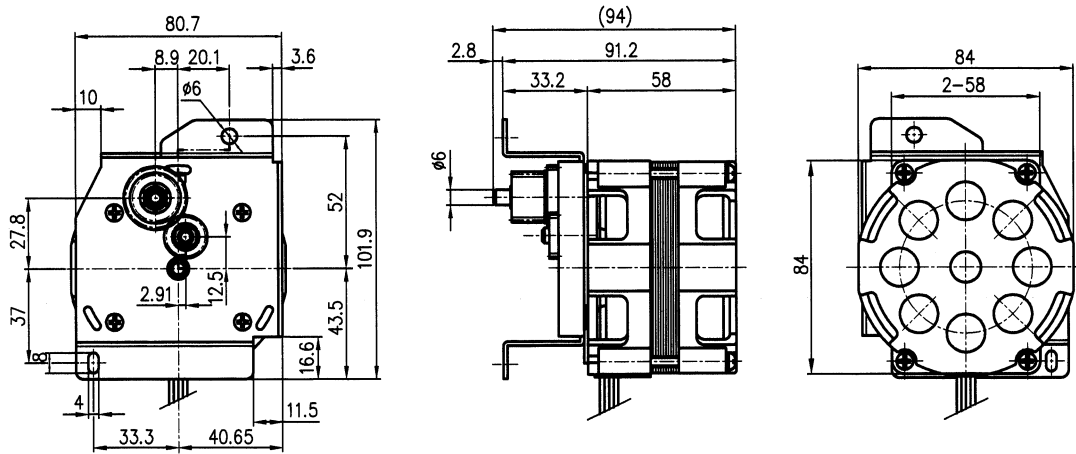
● OPEN HOUSING TYPE



IRG-83 Series

SPG Co., Ltd.

▼ DIMENSIONS



▼ Performance Data

MODEL	Poles P	Voltage V	Frequency Hz	Output W	Rated			Starting Torque Kg-cm	Duty
					Speed rpm	Torque Kg-cm	Current A		
IRG-83415A	4	220	60	5.6	321.4	1.7	0.13	1.7	cont.
IRG-83415B	4	220	60	5.0	286.6	1.7	0.12	1.7	cont.
IRG-83415C	4	220	60	3.3	191.2	1.7	0.12	1.7	cont.
IRG-83415D	4	220	60	5.8	331.6	1.7	0.11	1.7	cont.
IRG-83415E	4	220	50	5.6	321.4	1.7	0.20	1.7	cont.