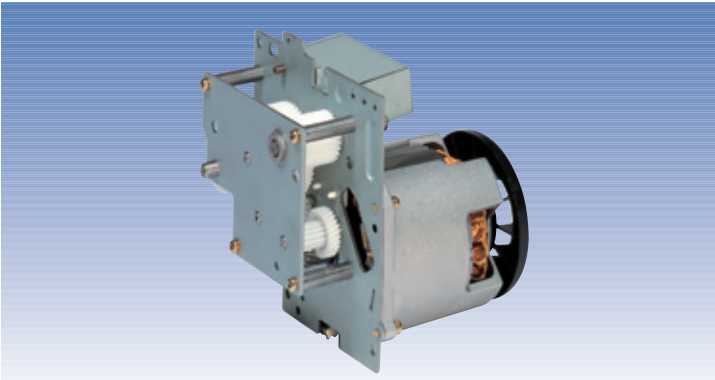


CONDENSER RUN REACTION GEARED MOTOR

● CLOSE HOUSING TYPE

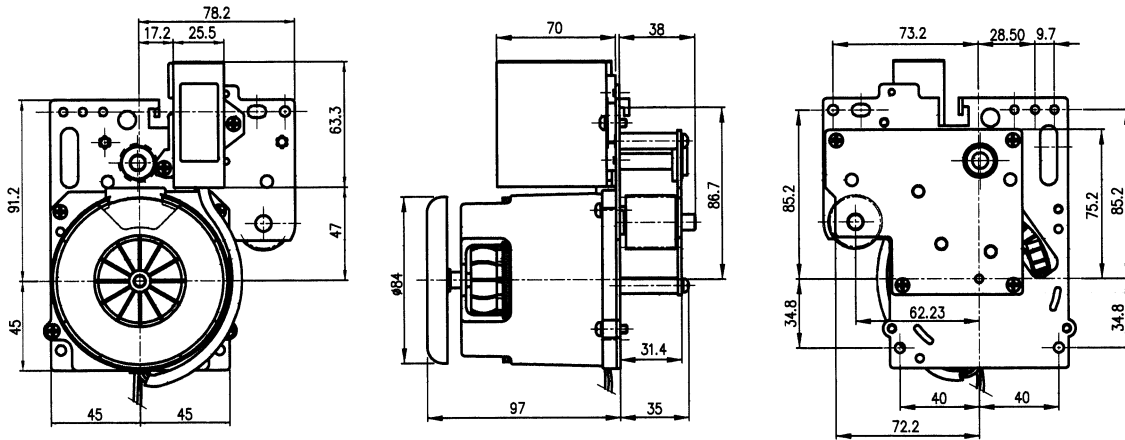


IRG-83 Series



SPG Co., Ltd.

▼ DIMENSIONS



▼ Performance Data

MODEL	Poles P	Voltage V	Frequency Hz	Output W	Rated			Starting Torque Kg-cm	Duty
					Speed rpm	Torque Kg-cm	Current A		
IRG-83435A	4	220	60	16	63.66	24.0	0.50	18.5	cont.
IRG-83435B	4	220	60	16	76.40	24.0	0.50	18.5	cont.
IRG-83435C	4	115	60	16	63.67	24.0	0.85	18.5	cont.
IRG-83435D	4	220	50	16	63.67	24.0	0.70	18.5	cont.
IRG-83435E	4	240	50	16	63.67	24.0	0.65	18.5	cont.
IRG-83435F	4	220	50	18	76.41	24.0	0.71	18.5	cont.
IRG-83435G	4	115	60	18	76.41	24.0	0.90	18.5	cont.
IRG-83435H	4	220	50	16	66.77	24.0	0.74	18.5	cont.
IRG-83435I	4	127	60	13	66.76	20.0	0.57	18.5	cont.
IRG-83435J	4	220	60	13	66.76	20.0	0.34	18.5	cont.